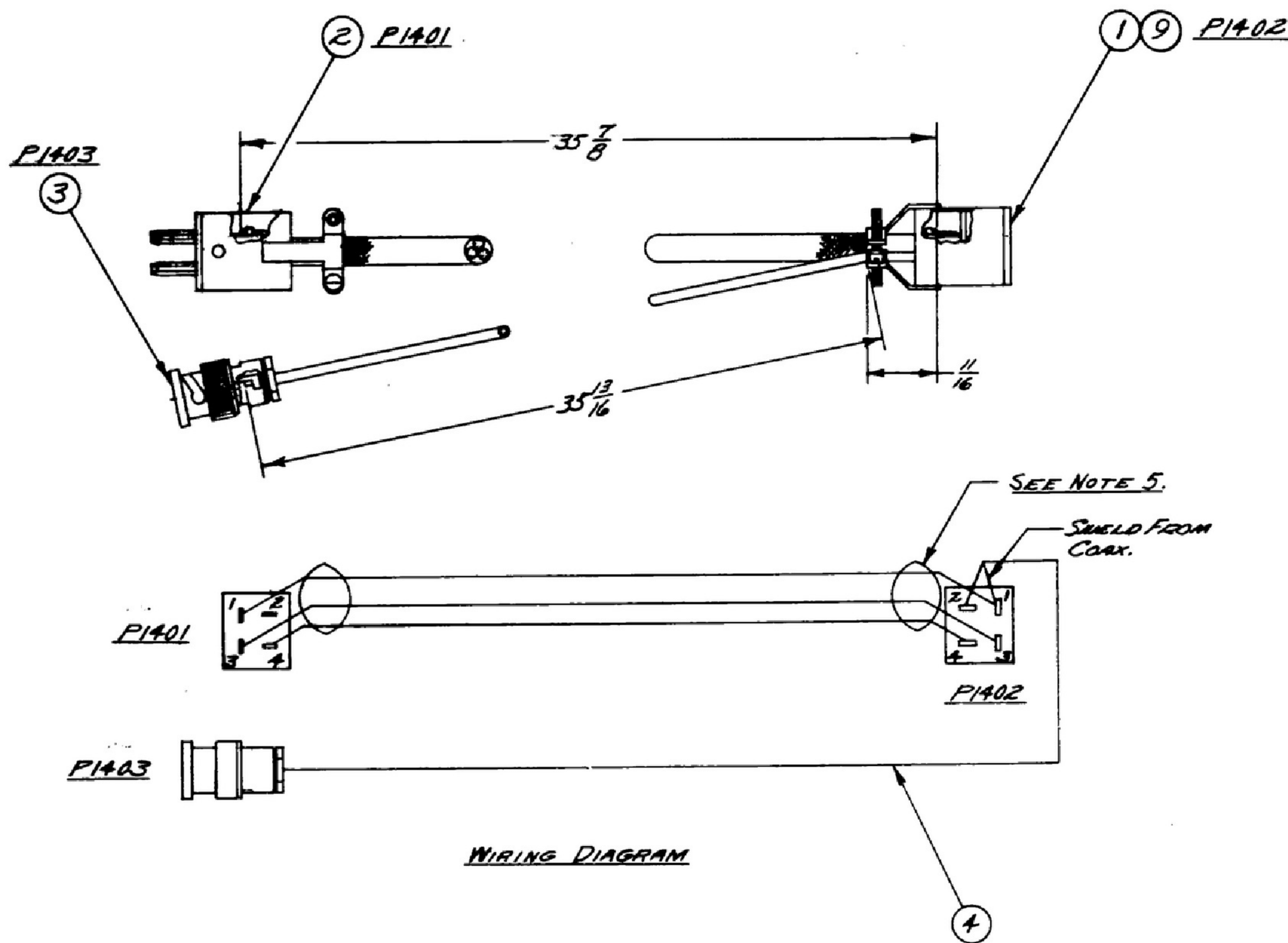


NOTES: THESE DIMENSIONS, SPECIFICATIONS, OR OTHER DATA ARE USED FOR THE PURPOSE OF THIS DRAWING ONLY. THEY ARE NOT TO BE CONSIDERED AS A WARRANTY OR GUARANTEE OF PERFORMANCE. THE USER SHALL BE RESPONSIBLE FOR THE PROPER USE OF THIS DRAWING AND FOR THE PROPER OPERATION OF THE EQUIPMENT TO WHICH IT IS APPLIED. THE USER SHALL BE RESPONSIBLE FOR THE PROPER MAINTENANCE OF THE EQUIPMENT TO WHICH IT IS APPLIED. THE USER SHALL BE RESPONSIBLE FOR THE PROPER OPERATION OF THE EQUIPMENT TO WHICH IT IS APPLIED.

THIS DRAWING IS THE PROPERTY OF THE DEPARTMENT OF THE ARMY AND IS TO BE KEPT IN CONFIDENCE AND NOT TO BE REPRODUCED OR USED IN CONNECTION WITH ANY AGREEMENT, CONTRACT, OR OTHER DOCUMENT WITHOUT THE WRITTEN PERMISSION OF THE DEPARTMENT OF THE ARMY.

FOR INFORMATION ONLY, CONTRACTOR MAY AT HIS OPTION DEVIATE FROM THESE PROCESS DETAILS.

ORIG ISSUE A		REVISIONS		16 AUG 56	
SYM	DESCRIPTION	DATE	APPROVAL	DATE	APPROVAL



- NOTES:**
1. SUPPLIED BY HOWARD B. JONES, CHICAGO, ILL., OR EQUAL.
 2. SUPPLIED BY DIAMOND MFG. CO., WAREFIELD, MASS., OR EQUAL.
 3. SUPPLIED BY SUPPLEMENT MFG. CO., BOSTON, MASS., OR EQUAL.
 4. SUPPLIED BY BENTLEY HARRIS MFG. CO., CONSHOCKEN, PENN., OR EQUAL.
 5. ~~INDICATES~~ INDICATES TUBING. (6)
 6. SHALL BE SRIF - 7/8 (7) - 22U3.
 7. SUPPLIED BY PATTON-McGUYER CO., PROVIDENCE, R.I., OR EQUAL.

QTY	NO	PART NO.	DESCRIPTION	UNIT	FINISHED SIZE	QTY	NOTE
7	1		-7 TERMINAL #520			7	
6	As Bld		-6 TUBING, TYPE 649, #8			5	
5	As Bld		-5 WIRE, JAN-C-76			6	
4	As Bld		-4 CABLE, COAX #12017			3	
3	1		-3 RE-49F-246			2	
2	1		-2 P-30A-CCT			1	
1	1	SM-C-33587-1	CONNECTOR S-30A-CCT-M.I.			1	

LIST OF MATERIAL

UNLESS OTHERWISE SPECIFIED DIMENSIONS ARE IN INCHES TOLERANCES ON FRACTIONS DECIMALS ANGLES		COLLINS RADIO CO. CEDAR RAPIDS, IA 08719-FH-55-93	CABLE, POWER	DEPARTMENT OF THE ARMY SIGNAL CORPS ENGINEERING LABORATORIES FORT MONMOUTH NEW JERSEY
SC-GL-5775B	SC-GL-57655	SIGNAL CORPS		
NEXT ASSY	USED ON	REVIEWED XXX	FOR INTERCHANGEABILITY GAGE FOR R-390A/URR & R-392/URR	SM-C-33587
APPLICATION		APPROVED [Signature]	DATE 11 SEPT 56	

WHEN REFERRING TO THIS DRAWING STATE DRAWING NO., APPLICABLE ISSUE SYMBOL, IF ANY, AND DATE.